

# **TABLE OF CONTENTS**

---

## **WATER UTILITY DETAILS:**

✍ BUTTERFLY VALVE INSTALLATION DETAIL.....	W-1
✍ FIRE HYDRANT DETAIL.....	W-2
✍ SINGLE WATER SERVICE & METER CONNECTION DETAIL.....	W-3
✍ DOUBLE WATER SERVICE & METER CONNECTION DETAIL.....	W-4
✍ BLOW-OFF CONNECTION (TYP).....	W-5
✍ EXTENSION STEM DETAIL.....	W-6
✍ GATE VALVE INSTALLATION DETAIL.....	W-7
✍ TYPICAL BLOW-OFF DETAIL.....	W-8
✍ WATER MAIN TERMINATION DETAIL.....	W-9
✍ DETAIL OF WATER VALVE MARKER.....	W-10
✍ AIR RELEASE CONNECTION DETAIL (TYP).....	W-11
✍ CONCRETE COLLAR FOR VALVE BOX (TYP).....	W-12
✍ TYPICAL BLOCKING DETAIL.....	W-13

## **SEWER UTILITY DETAILS:**

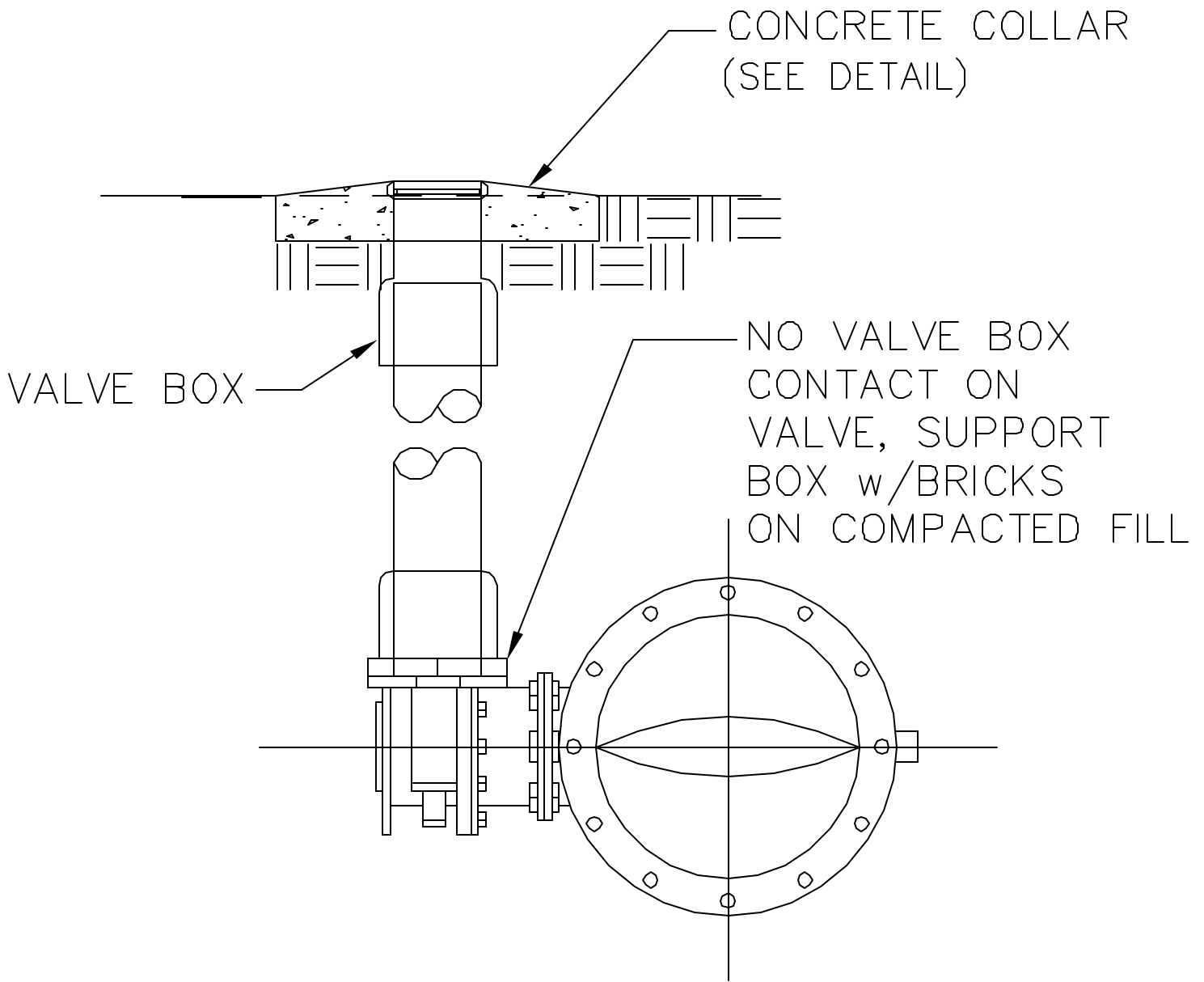
✍ TUNNEL DETAIL.....	S-1
✍ PRECAST CONCRETE MANHOLE DETAIL.....	S-2
✍ DIRECTION OF FLOW IN A MANHOLE DETAIL.....	S-3
✍ SERVICE CONNECTION DETAIL.....	S-4
✍ RUBBER BOOT DETAIL.....	S-5
✍ CLEANOUT DETAIL.....	S-6
✍ WATERSTOP COLLAR DETAIL ~ A.....	S-7
✍ WATERSTOP COLLAR DETAIL ~ B.....	S-8
✍ CONCRETE REPLACEMENT DETAIL.....	S-9
✍ ASPHALT REPLACEMENT DETAIL.....	S-10
✍ CONCRETE ENCASEMENT.....	S-11
✍ AUTOMATIC AIR RELEASE VALVE DETAIL.....	S-12
✍ DOGHOUSE MANHOLE DETAIL.....	S-13
✍ METALLIC TAPE LOCATOR DETAIL.....	S-14

## **OPEN TRENCH DETAILS:**

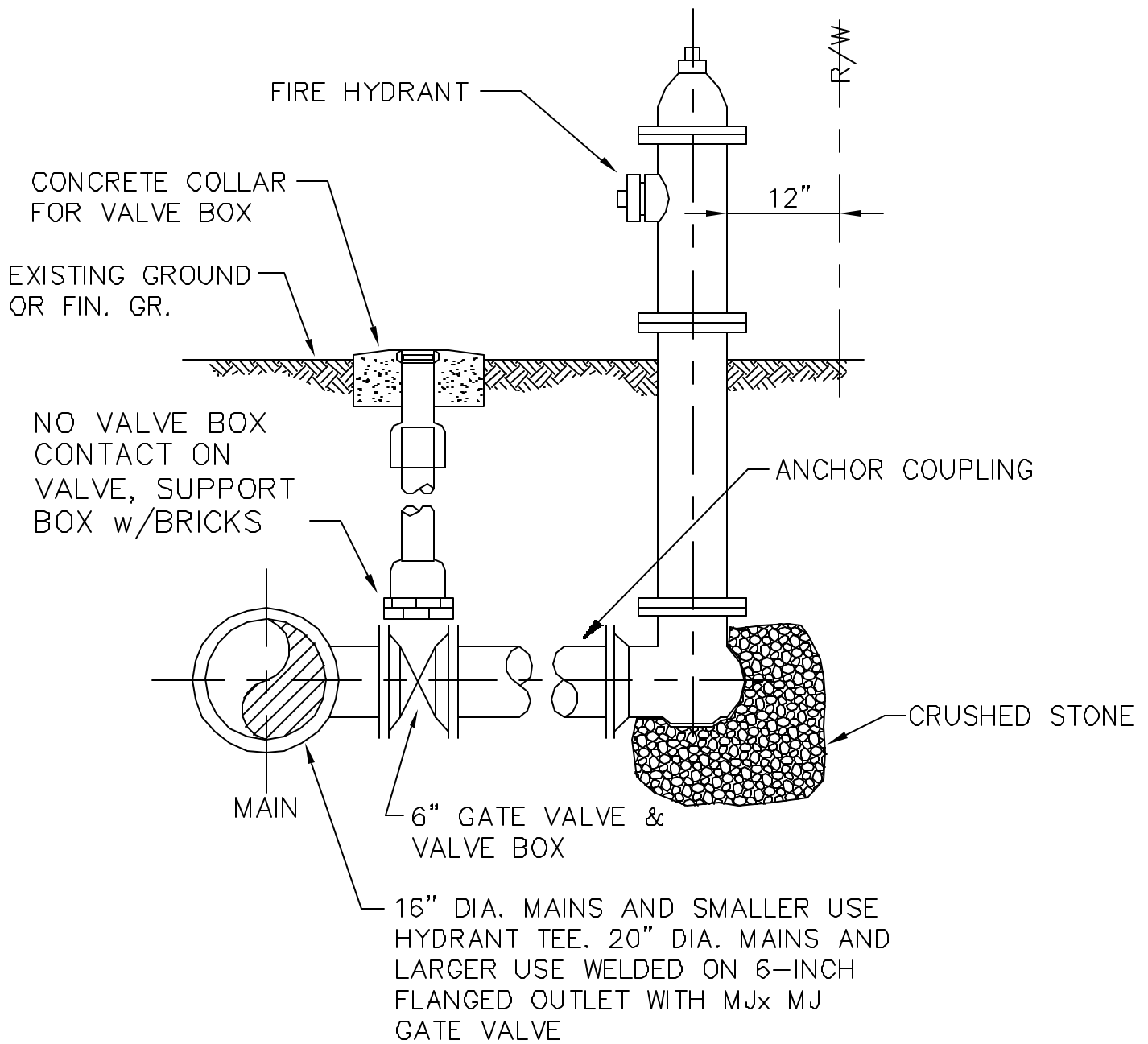
✍ TRENCH TERMINOLOGY DETAILS.....	OT-1
✍ PIPE BEDDING AND HAUNCHING DETAILS.....	OT-2

## **CROSSING DETAILS:**

✍ CONCRETE COLLAR DETAIL.....	CR-1
✍ PIPE ANCHORAGE DETAIL.....	CR-2
✍ PIER FOOTING DETAIL.....	CR-3
✍ CONCRETE PIER DETAIL.....	CR-4
✍ PIPE STRAP DETAIL.....	CR-5
✍ CONCRETE SADDLE ON PILES DETAIL.....	CR-6

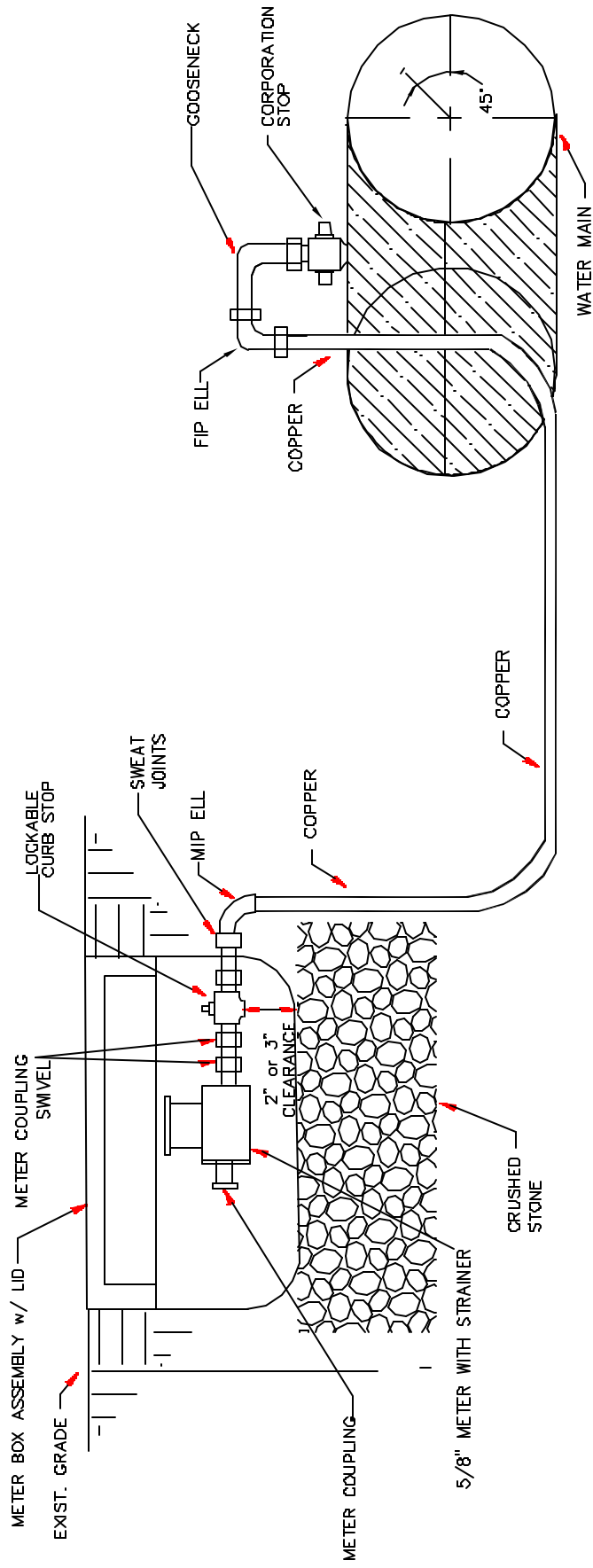


STATUS	BY	APPROVED	DATE	MACON WATER AUTHORITY STANDARD DETAILS	RECOMMENDED BY THE MACON WATER AUTHORITY ENGINEERING DEPT.
ORIGINAL					
REVISION					
				BUTTERFLY VALVE INSTALLATION DETAIL	
				N.T.S.	DRAWING NUMBER W-1



NOTE: RESTRAIN ALL FITTINGS ACCORDINGLY

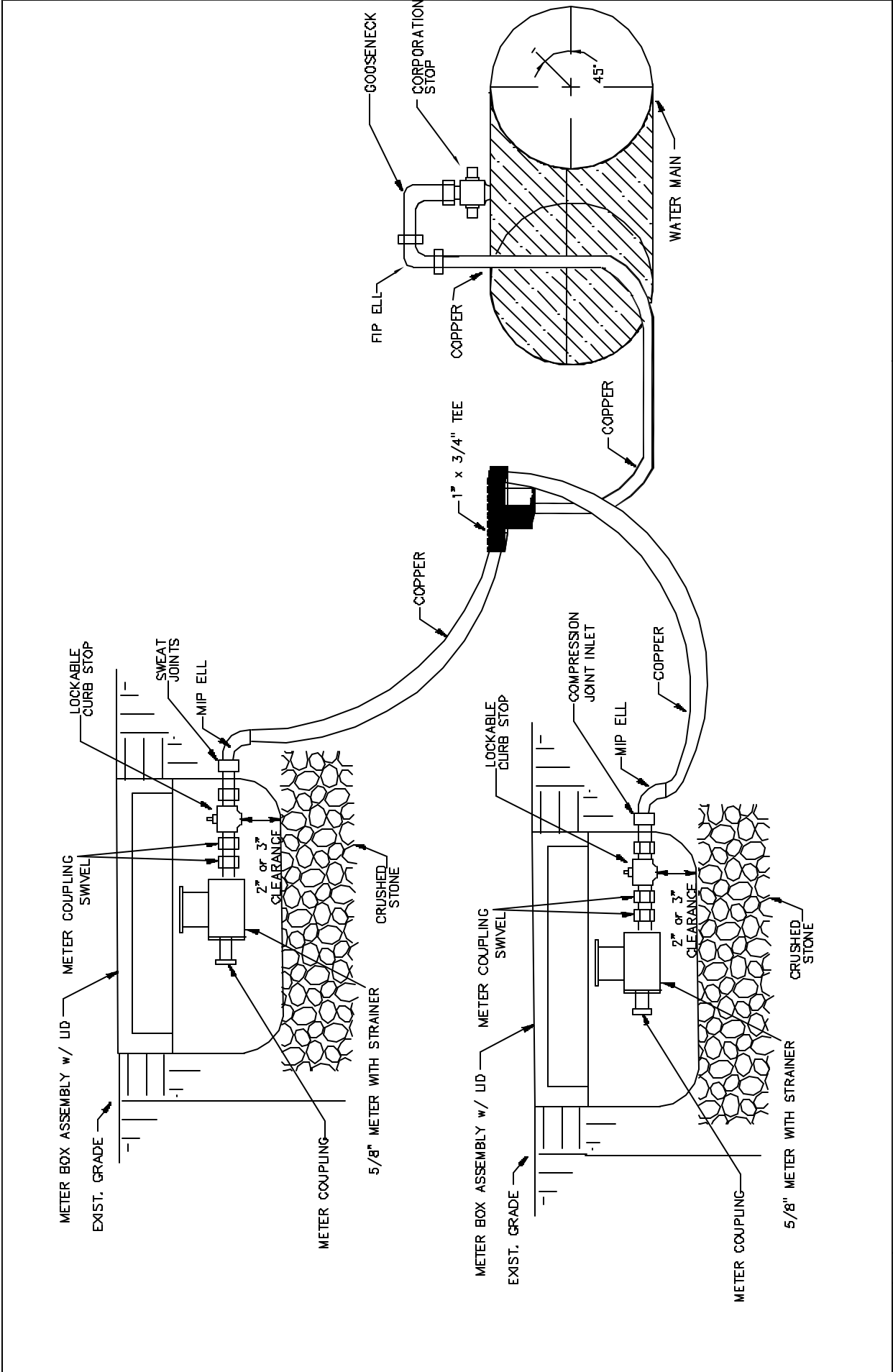
STATUS	BY	APPROVED	DATE	MACON WATER AUTHORITY STANDARD DETAILS	RECOMMENDED BY THE MACON WATER AUTHORITY ENGINEERING DEPT.
ORIGINAL					
REVISION					
				FIRE HYDRANT DETAIL N.T.S.	DRAWING NUMBER W-2



STATUS	BY	APPROVED	DATE
ORIGINAL			
REVISION			

MACON WATER AUTHORITY STANDARD DETAILS  
 WATER SERVICE & METER CONNECTION DETAILS  
 N.T.S. (SIZES 5/8" & 1")

RECOMMENDED BY THE MACON  
 WATER AUTHORITY ENGINEERING  
 DEPT.  
 DRAWING NUMBER W-3



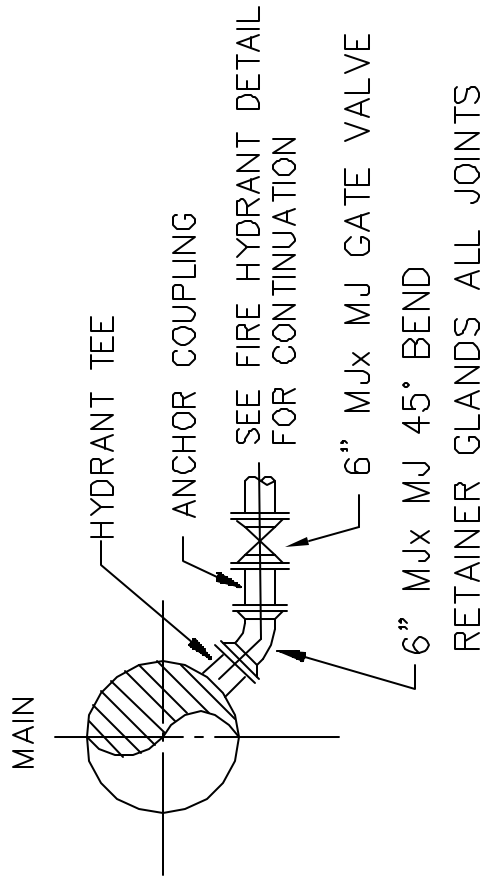
RECOMMENDED BY THE MACON  
 WATER AUTHORITY ENGINEERING  
 DEPT.

DRAWING  
 NUMBER W-4

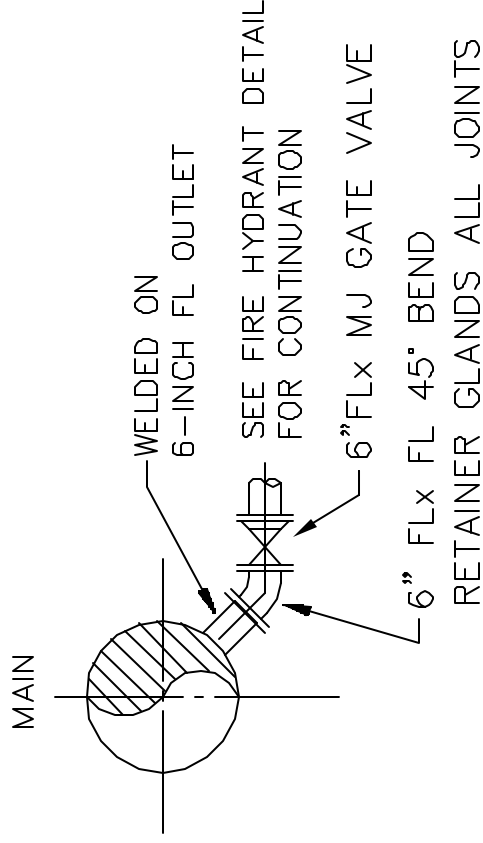
MACON WATER AUTHORITY STANDARD DETAILS

DOUBLE WATER SERVICE & METER CONNECTION DETAILS  
 (SIZES 5/8" & 1")  
 N.T.S.

STATUS	BY	APPROVED	DATE
ORIGINAL			
REVISION			

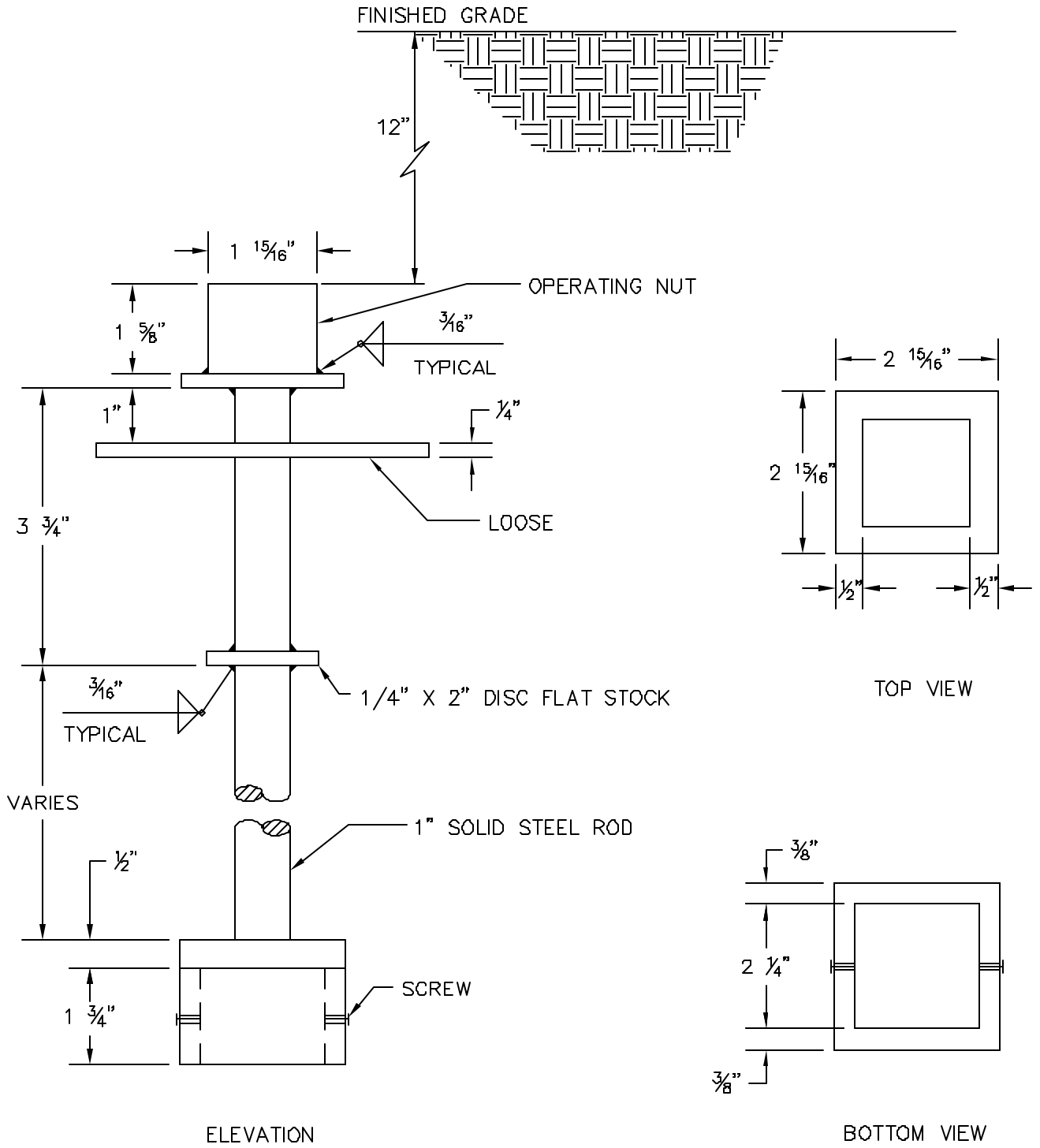


16" DIA. MAINS AND SMALLER



MAINS LARGER THAN 16" DIA.

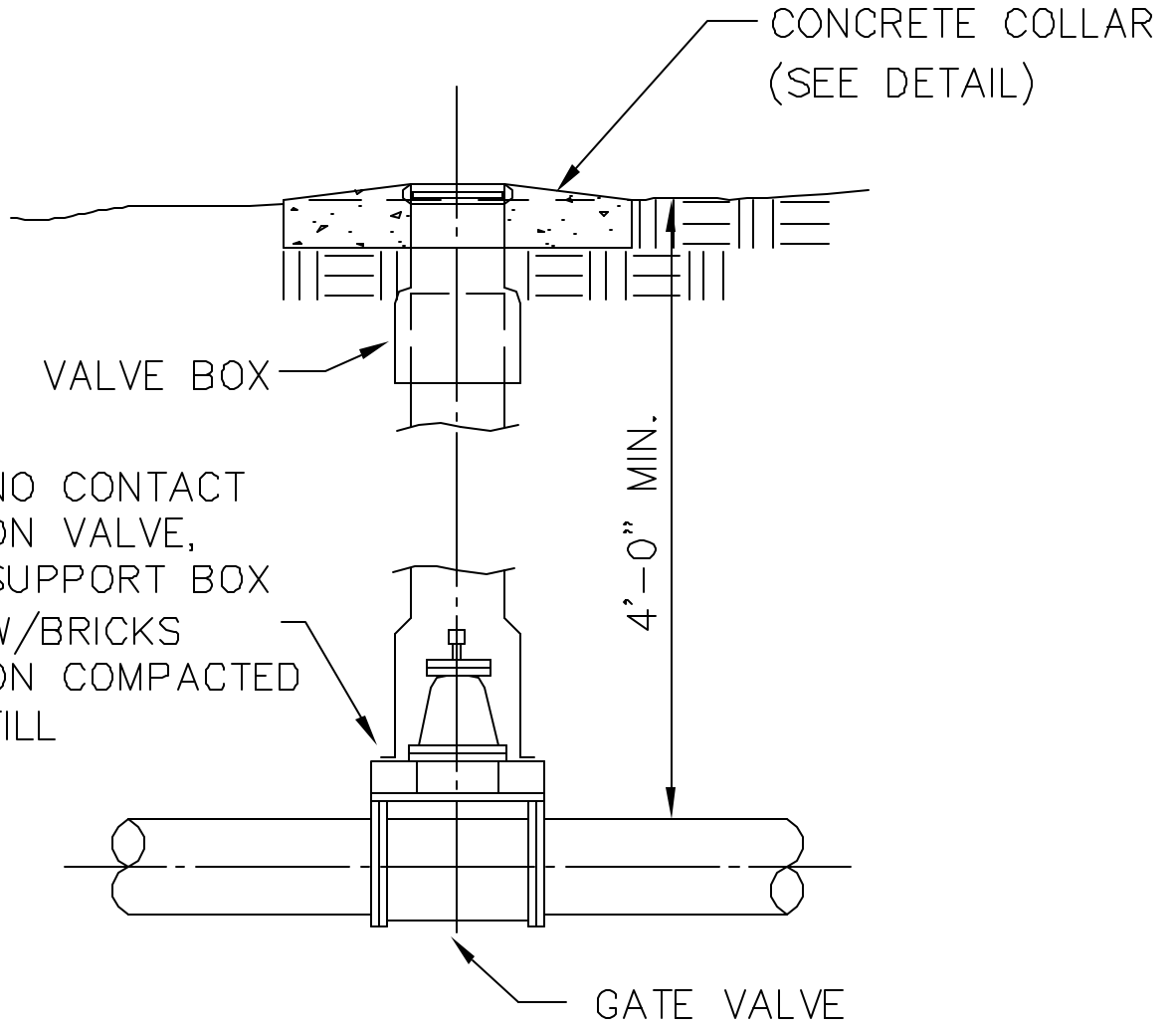
STATUS	BY	APPROVED	DATE	MACON WATER AUTHORITY STANDARD DETAILS
ORIGINAL				BLOW-OFF CONN. (TYP.) LOW ELEVATION N.T.S.
REVISION				
				RECOMMENDED BY THE MACON WATER AUTHORITY ENGINEERING DEPT.
				DRAWING NUMBER W-5



**NOTES:**

- \* ALL WELDS TO CONFORMED TO ANSI/AWWA C206-91.
- \* ALL WORK SHALL BE IN ACCORDANCE OF MANUFACTURER'S RECOMMENDATION.

STATUS	BY	APPROVED	DATE	MACON WATER AUTHORITY STANDARD DETAILS	RECOMMENDED BY THE MACON WATER AUTHORITY ENGINEERING DEPT.
ORIGINAL					
REVISION	HILL	WANNA	9/20/04	EXTENSION STEM DETAIL	
				N.T.S.	
					DRAWING NUMBER W-6



STATUS	BY	APPROVED	DATE
ORIGINAL			
REVISION			

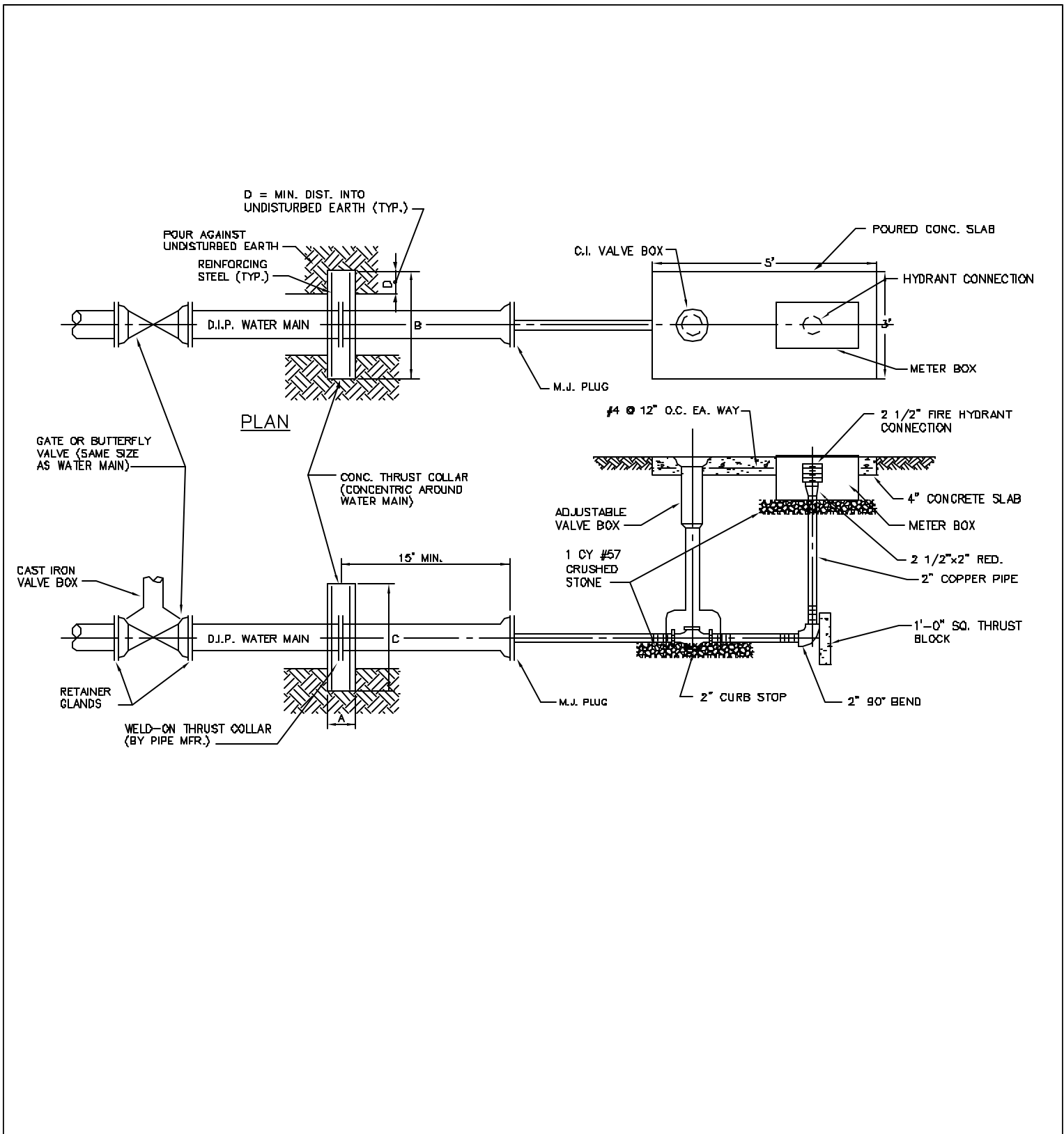
MACON WATER AUTHORITY STANDARD DETAILS

GATE VALVE INSTALLATION DETAIL  
N.T.S.

RECOMMENDED BY THE MACON  
WATER AUTHORITY ENGINEERING  
DEPT.

DRAWING NUMBER W-7





STATUS	BY	APPROVED	DATE
ORIGINAL			
REVISION			

MACON WATER AUTHORITY STANDARD DETAILS

TYPICAL BLOW-OFF DETAIL  
N.T.S.

RECOMMENDED BY THE MACON WATER AUTHORITY ENGINEERING DEPT.

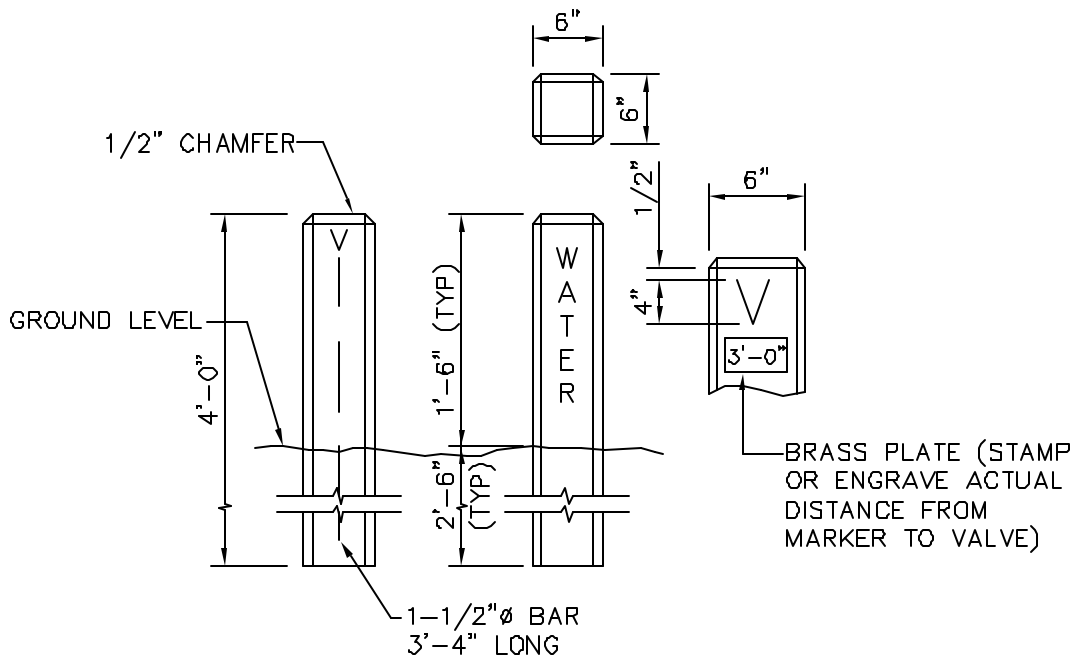
DRAWING NUMBER W-8

## SECTION

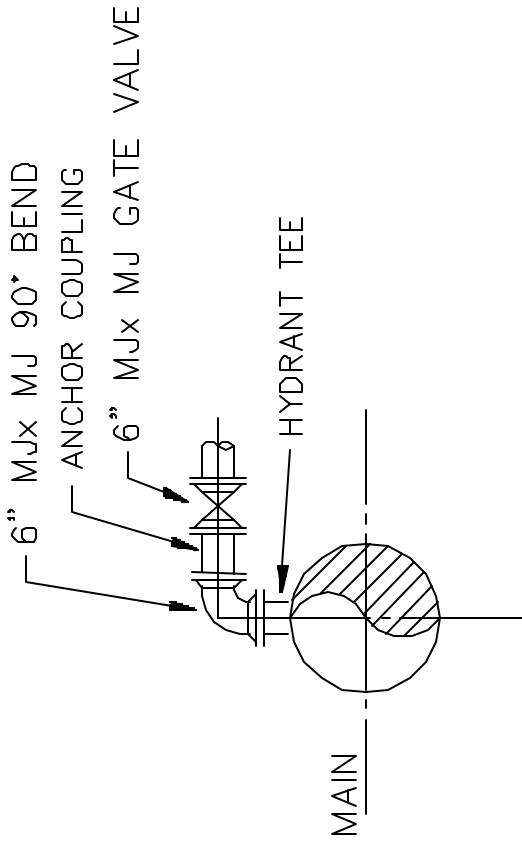
MAIN DIA	CONCRETE COLLAR DIM.				STEEL REINFORCING
	A	B	C	D	
36"	2'-0"	10'-0"	10'-0"	2'-0"	#9 @ 8" O.C. E.W.E.F.
24"	1'-9"	9'-0"	9'-0"	2'-6"	#9 @ 8" O.C. E.W.E.F.
20"	1'-6"	7'-8"	7'-8"	2'-0"	#9 @ 12" O.C. E.W.E.F.
16"	1'-3"	6'-6"	6'-6"	1'-6"	#8 @ 12" O.C. E.W.E.F.
12"	1'-2"	5'-3"	5'-3"	1'-0"	#7 @ 12" O.C. E.W.E.F.
6" or 8"	1'-0"	4'-0"	4'-0"	0'-8"	#6 @ 12" O.C. E.W.E.F.

TEST PRESSURE: 250 P.S.I.  
 SOIL BEARING PRESSURE: 3000 P.S.F.

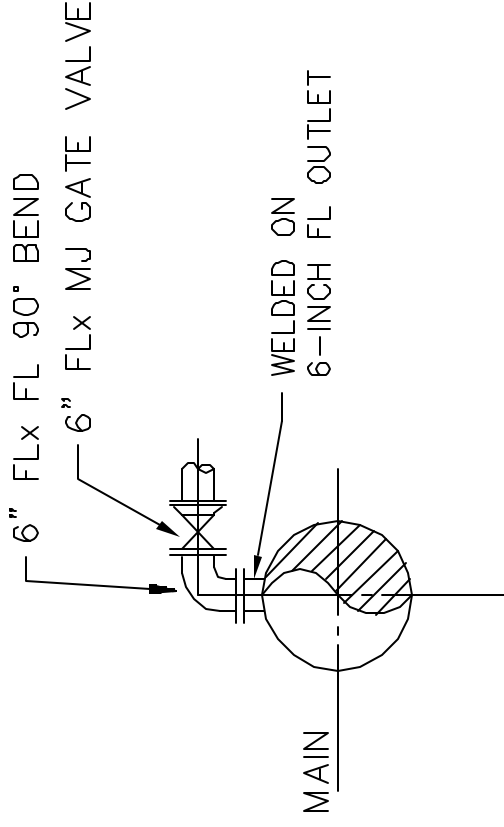
STATUS	BY	APPROVED	DATE	MACON WATER AUTHORITY STANDARD DETAILS	RECOMMENDED BY THE MACON WATER AUTHORITY ENGINEERING DEPT.
ORIGINAL					
REVISION				WATER MAIN TERMINATION DETAIL N.T.S.	DRAWING NUMBER <span style="font-size: 1.5em;">W-9</span>



STATUS	BY	APPROVED	DATE	MACON WATER AUTHORITY STANDARD DETAILS	RECOMMENDED BY THE MACON WATER AUTHORITY ENGINEERING DEPT.
ORIGINAL					
REVISION					
				DETAILS OF WATER VALVE MARKER N.T.S.	DRAWING NUMBER W-10



16" DIA. MAINS AND SMALLER



MAINS LARGER THAN 16" DIA.

STATUS	BY	APPROVED DATE
ORIGINAL		
REVISION		

MACON WATER AUTHORITY STANDARD DETAILS

AIR RELEASE CONN. (TYP)  
HIGH ELEVATION  
N.T.S.

RECOMMENDED BY THE MACON  
WATER AUTHORITY ENGINEERING  
DEPT.

DRAWING  
NUMBER W-11

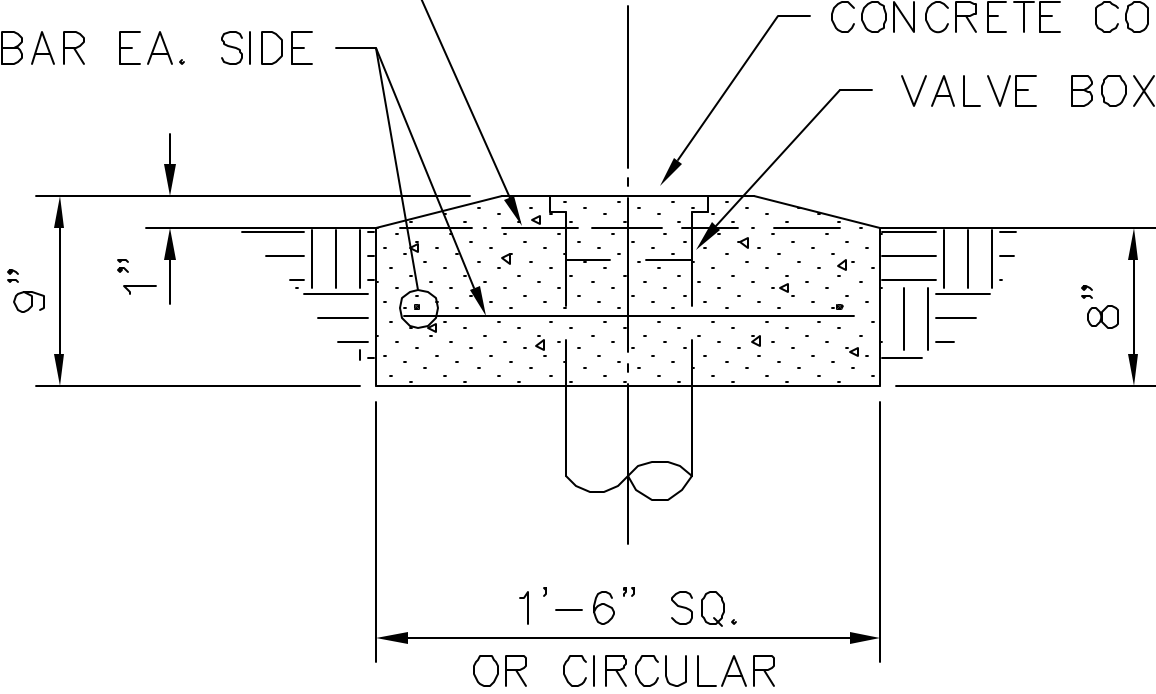
NOTE:

TOP OF CONC. COLLAR TO BE FLUSH WITH FIN. GR. WHEN INSTALLED IN PAVEMENT.

#4 REBAR EA. SIDE

CONCRETE COLLAR

VALVE BOX



STATUS	BY	APPROVED	DATE
ORIGINAL			
REVISION			

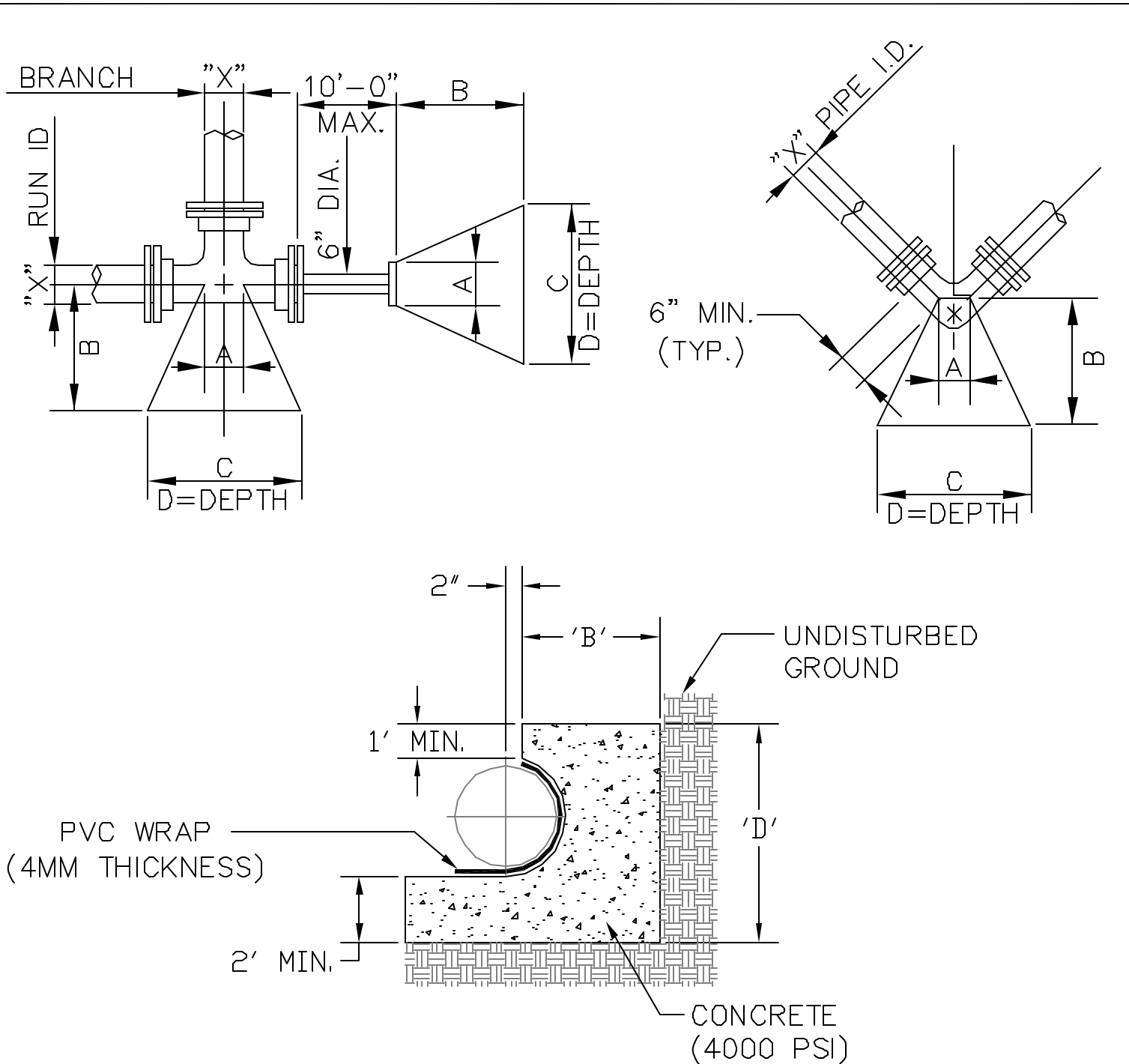
MACON WATER AUTHORITY STANDARD DETAILS

CONCRETE COLLAR FOR VALVE BOX (TYP.)

N.T.S.

RECOMMENDED BY THE MACON WATER AUTHORITY ENGINEERING DEPT.

DRAWING NUMBER W-12



**NOTES:**

1. 'A', 'B', 'C' & 'D' WILL BE DETERMINED BY THE ENGINEER.
2. MEGALUG RESTRAINTS SHALL BE USED ON ALL BENDS.

STATUS	BY	APPROVED	DATE	MACON WATER AUTHORITY STANDARD DETAILS	RECOMMENDED BY THE MACON WATER AUTHORITY ENGINEERING DEPT.
ORIGINAL					
REVISION					
				TYPICAL BLOCKING DETAIL N.T.S.	DRAWING NUMBER W-13